

## Series W-Z45H-125Q

### Gate Valve, NRS, Metal Seated

#### Size: DN50-DN400

Implementation of piping system on and off; Used in plumbing, HVAC, irrigation, commercial, and industrial application.

#### Features

- Low pressure drop
- Large temperature range
- Bidirectional flow
- Sealed performance
- Compact design
- High reliability and long durability

#### Pressure-Temperature

- Nominal Pressure: CL125
- Temperature Range: -10°C~120°C

#### Test Pressures

##### Hydraulic

Shell: 24 bar

Seat: 17.6 bar

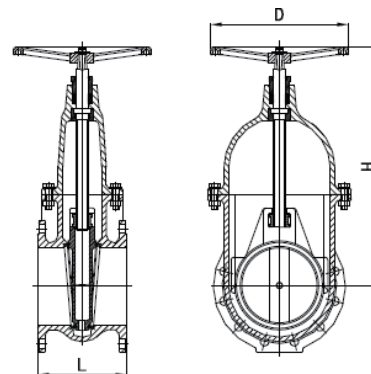
#### Material

Component	Material	EN Spec	ASTM Spec
Body	Ductile Iron	DN-JS1050	A536 65-45-12
Bonnet	Ductile Iron	DN-JS1050	A536 65-45-12
Seat	Bronze	EN1982 CC491K	B62 C83600
Wedge	Ductile Iron	DN-JS1050	A536 65-45-12
Wedge Trim	Bronze	EN1982 CC491K	B62 C83600
Stem	Stainless Steel	BS970 420S37	AISI 420
Wedge Nut	Brass	CuZn39Pb3	B16 C36000
Gasket	PTFE	Polytetrafluoroethylene	ASTM D3294
Packing	EPDM	EN681-1	ASTM D3568
Packing Nut	Stainless Steel	BS970 304S15	AISI 304
Bonnet Bolts & Nuts	Stainless Steel	BS970 304S15	AISI 304
Hand Wheel	Ductile Iron	EN-JS1050	A536 65-45-12

#### Specification

- Connection Standard: CL125 to ANSI B16.1
- Corrosion Protection: internally and externally liquid epoxy painted
- Medium: water, oil, gas

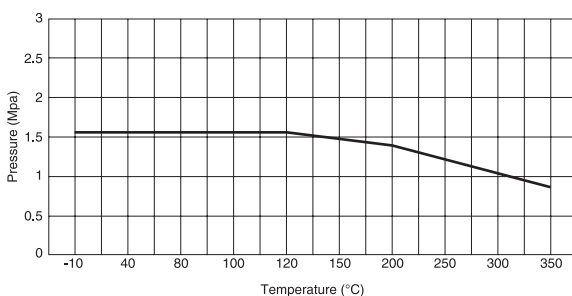
#### Approval



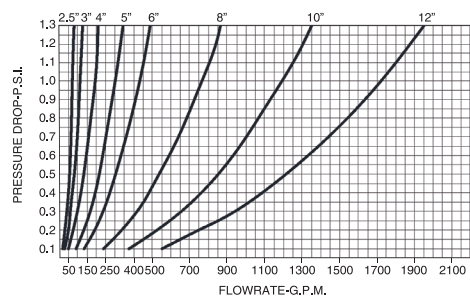
#### Installation Dimensions

Size(mm)	50(mm)	65(mm)	80(mm)	100(mm)	125(mm)	150(mm)	200(mm)	250(mm)	300(mm)	350(mm)	400(mm)
L	178	190	203	229	254	267	292	330	356	381	406
H	214	223	262	323	380	438	518	615	705	790	855
D	200	200	254	254	315	315	315	405	405	558	558

#### Pressure-Temperature Chart



#### Characteristic Curve



Watts reserves the right to change or modify product design, construction, specifications, or materials without prior notice and without incurring any obligation to make such changes and modifications on Watts products previously or subsequently sold.